



SMART INTERGRATED TEMPERATURE TRANSMITTER

—— 4-20mA, RS485, 4-20ma + HART Output ——

Model No: MTR430



General Specifications

GS 19A16D01-01EN

TEMPERATURE TRANSMITTER 4-20MA, RS485, HART OUTPUT MTR430

Overview

The MTR430 is an integrated digital LCD display temperature transmitter for temperature measurement of liquids, gas, steam and air using a Pt100 temperature element and intelligent laser resistance adjustment for temperature compensation with 4-20ma, RS485, 0-5v, or 0-10vdc output. Widely used in boiler, furnace, petroleum, metallurgy, chemicals, ceramic, mechanical, heating / cooling applications and various other industrial process fields.

Feature

- High accuracy and stability, Advanced performance,
- Built-in cold junction compensation, un-linear calibration circuit
- Measure range: -200 to 1600°C
- Output: 4-20ma, 2 wire; RS485, HART Output
- Reverse polarity & current limiting protection
- Tube Diameter: Φ6mm, Φ8mm, Φ12mm, Φ16mm
- Power supply: 10V to 30VDC, 24VDC as standard

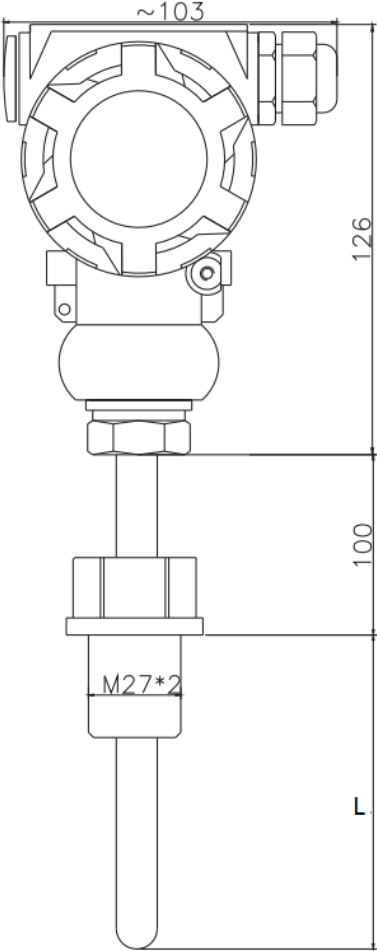
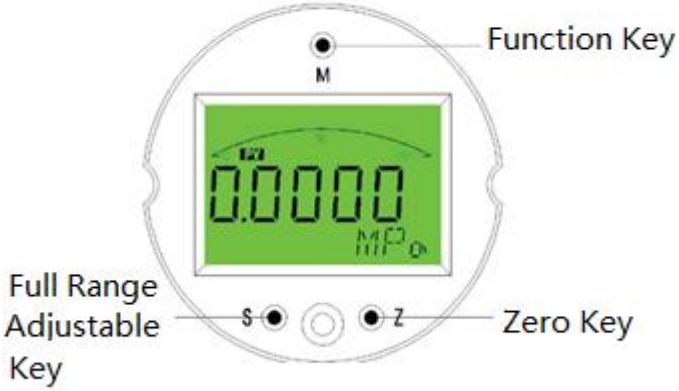
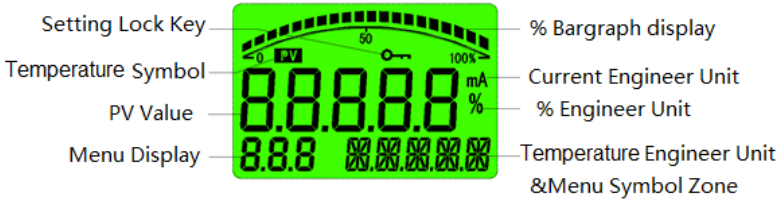


Smart Digital Temperature Transmitter
MTR430

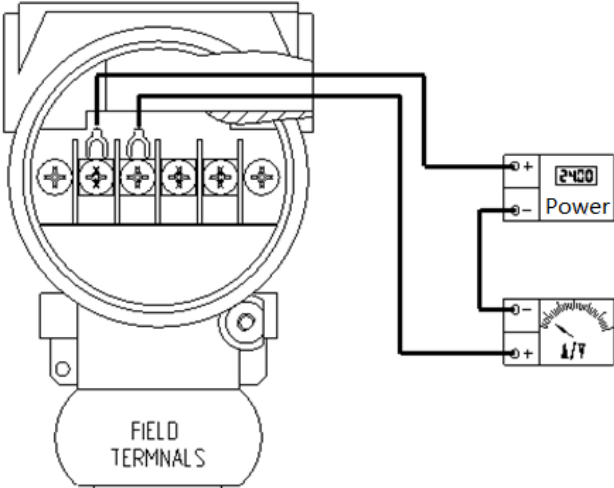
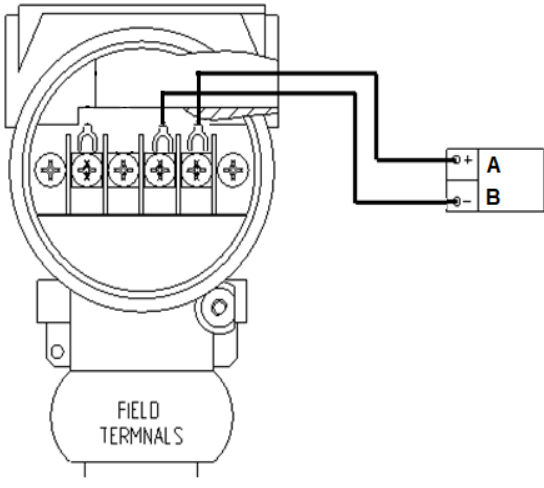
Specification

Accuracy	0.5%FS, 0.2%FS	Process connection	1/2"NPT, 1/4"NPT M27X2, M20X1.5
Stability	≤0.1%/year	Electrical connector	M20X1.5
Element	Thermocouple, RTD	thread material	304SS; 316SS
Measurement range	Pt100: 0 to 100°C, -50 to 200°C, -200 to 600°C	Tube material	304SS; 316SS
	K: -50 to 1200°C, B: 0 to 1600°C	Housing material	Aluminum alloy with spray
	E: 0 to 800°C; J: 0 to 600°C	Output	4-20mA, 2 wires; RS485, 4-20ma+Hart
	N: 0 to 1200°C; R: 0 to 1300°C	Local Indicator	5-digit LCD, -19999 to 99999
Element number	Single element		4-digit LED, -1999 to 9999
Element Diameter	Φ6mm, Φ8mm, Φ12mm, Φ16mm	Engineer unit	°C, °F, K, °Ra, °Re
Junction type	Underground	Decimal point	0-2, programable
Overload pressure	200%FS	Power supply	10-30VDC, 24VDC standard
Max. pressure	10Mpa	Working temperature	-30 to 80°C
IP protection	IP65	Relative humidity	0 to 90%

■ Size (mm)

Size (mm)	LCD Display
	
	

■ Diagram

Diagram: 4-20ma output	Diagram: RS485
<p>2 Wire</p> 	<p>2 Wire</p> 

Order Code

MTR430 Smart Digital Temperature Transmitter										
Order Code: E.g.: MTR430-DT100AP2D6NL100N									Description	
MTR430	-X	X	X	X	X	X	X	X	Smart Digital Temperature Transmitter	
Type	-E								Yes, with LED indicator (thermocouple)	
	-D								Yes, with LCD indicator (PT100)	
Measured Temperature		TX							e.g.: T100: 0-100degc, please advise the range required	
Output			A						4-20mA, 2 wire	
			R						RS485 output, standard MODBUS-RTU protocol	
			AH						4-20ma+Hart protocol	
Process Connection				P1					G1/2", thread, fixed	
				P2						1/2"NPT, thread, fixed
				P3						G1/4", thread, fixed
				P4						1/4"NPT, thread, fixed
				P5						M20X 15, thread, fixed
				P6						M14x1.5, thread, fixed
				P7						M27X2.0, thread, fixed
				PX						customized
Protection tube stem diameter					-D6				Φ6mm	
					-D8					Φ8mm
					-D10					Φ10mm
					-D12					Φ12mm
					-DX					Customized
Stem Extended Length including thread						N			None	
						E				Extended length including thread: 100mm
						E5				Extended length including thread: 50mm
Stem Insert Length (mm)							LX		L100: L=100mm	
Others								N	None	
								A2	0.2%FS high accuracy	
								M	316SS protection tube material	
								X	Others	

Note: Order Code: E.g.: MTR430-DT100AP2D6NL100N, LCD digital display, 0-100degc, 1/2"NPT, 6mm diameter, 100mm insert length



Xiamen Madincos Automation Co., Ltd

Add.: No. C303, 3rd Floor, Kechuang Building, No.321 Torch Road, Torch Park, Torch High-tech Zone, Xiamen,China,361006

URL: www.madincos.com

Email: info@madincos.com

Mobile: +86-17750003689