



SMART INTERGRATED TEMPERATURE TRANSMITTER

4-20mA, RS485, 0-5VDC, 0-10VDC Output

Model No: MTR420



General Specifications

GS 19A16D01-01EN

TEMPERATURE TRANSMITTER 4-20MA, 1-5V, 0-10V, RS485 OUTPUT MTR420

Overview

The MTR420 is an integrated smart temperature transmitter for temperature measurement of liquids, gas, steam and air. Using a Pt100 temperature element and intelligent laser resistance adjustment for temperature compensation with 4-20ma, RS485, 0-5v, or 0-10vdc output. Widely used in boiler, furnace, petroleum, metallurgy, chemicals, ceramic, mechanical, heating / cooling applications and various other industrial process fields.

Feature

- High accuracy and stability, Advanced performance,
- Measure range: -200 to 200 °C
- Output: 4-20ma, 2 wire; RS485, 0-5VDC, 0-10V Output
- Reverse polarity & current limiting protection
- Tube Diameter: Φ6mm, Φ8mm, Φ12mm, Φ16mm
- Power supply: 24VDC as standard

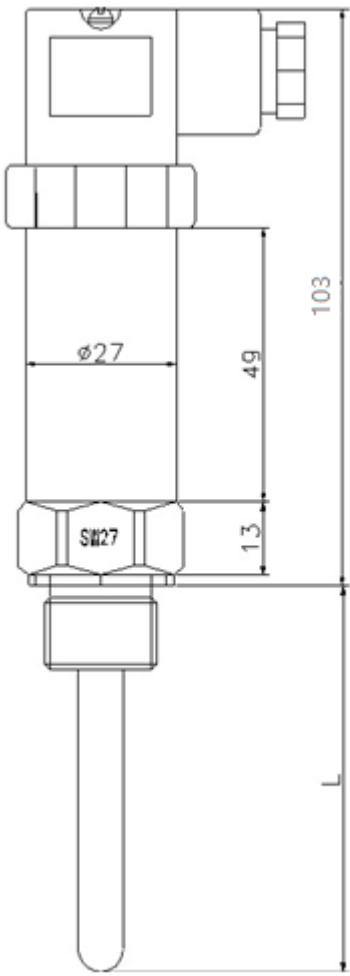
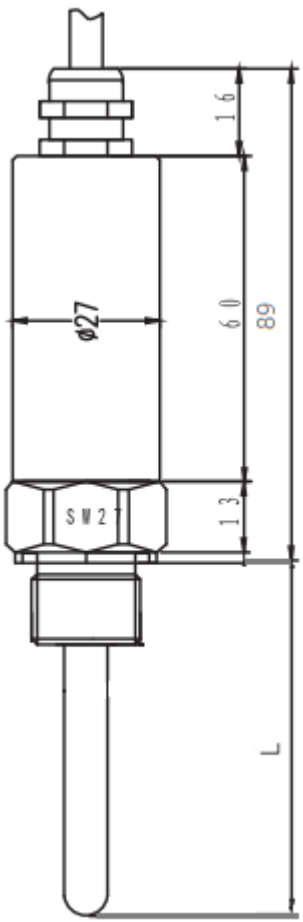
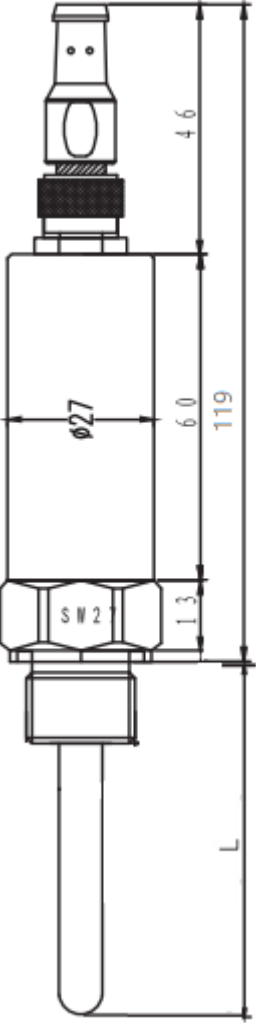
Specification

Accuracy	0.5%FS, 0.2%FS	Process connection	1/2"NPT, 1/4"NPT M27X2, M20X1.5
Stability	≤0.1%/year	thread material	304SS; 316SS
Element	Pt100	Tube material	304SS;316SS
Measurement range	-50 to 200 °C ; -200 to 200°C	Housing material	304SS; 316SS
Element number	Single element	Output	4-20mA, 0-10vdc, 0-5vdc RS485, standard modbus-rtu
Element Diameter	Φ6mm, Φ8mm, Φ12mm, Φ16mm	Electrical Connector	Hirschman plug, Cable, M12 plug
Junction type	Underground	Power supply	24VDC ±20%
Overload pressure	200%FS	Working temperature	-30 to 80 °C
Max. pressure	10Mpa	Relative humidity	0 to 90%
IP protection	IP65		

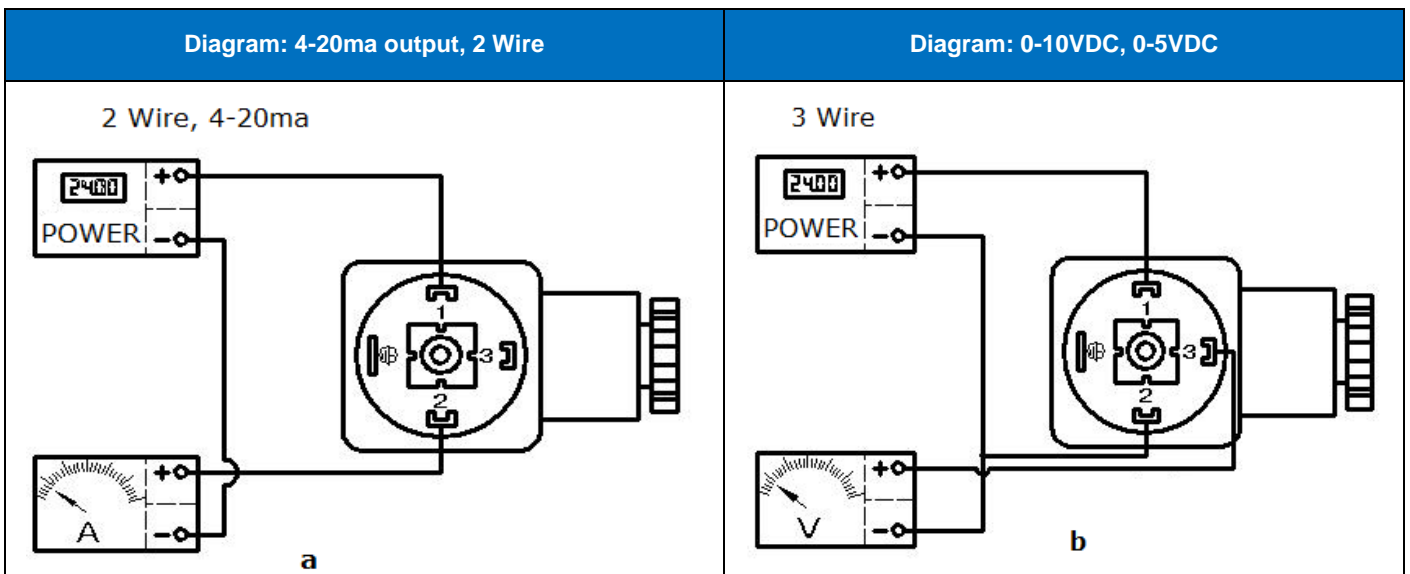


Smart Temperature Transmitter
MTR420

■ Size (mm)

Hirschman Plug Type	Direct Lead Cable Type	M12 Plug Type
		

■ Diagram



Order Code

MTR420 Smart Integrated Temperature Transmitter									
Order Code: E.g.: MTR420-DT1AP2D6NL100N									Description
MTR420	X	X	X	X	X	X	X	X	Smart Digital Temperature Transmitter
Measured Temperature	T1								0 to 100degC
	T2								-50 to 200degc
	T3								-200 to 200degC
Output	A								4-20mA, 2 wire
	V								0-5VDC
	V2								0-10VDC
	R								RS485 output, standard MODBUS-RTU
Process Connection	P1								G1/2", thread, fixed
	P2								1/2"NPT, thread, fixed
	P3								G1/4", thread, fixed
	P4								1/4"NPT, thread, fixed
	P5								M20X 15, thread, fixed
	P6								M14x1.5, thread, fixed
	P7								M27X2.0, thread, fixed
	PX								customized
Protection tube stem diameter	D6								Φ6mm
	D8								Φ8mm
	D10								Φ10mm
	D12								Φ12mm
	DX								Customized
Stem Extended Length including thread	N								None
	E								Extended length including thread: 100mm
	E5								Extended length including thread: 50mm
Stem Insert Length (mm)						LX		L100: L=100mm	
Electrical Connector	S								Hirschman plug
	C								direct cable, 1.0m default
	MC								M12 with 1m cable
Specified Function	N								None
	A2								0.2%FS high accuracy
	M								316SS protection tube material
	X								Others

Note: Order Code: E.g.: MTR420-T1AP2D6NL100SN, 0-100degc, 4~20mA, 1/2"NPT, 6mm diameter, 100mm insert length, Hirschman plug



Xiamen Madincos Automation Co., Ltd

Addr.: No. C303, 3rd Floor, Kechuang Building, No.321 Torch Road, Torch Park, Torch High-tech Zone, Xiamen,China,361006

URL: www.madincos.com

Email: info@madincos.com

Mobile: +86-17750003689