



## Thermal Dispersion & Paddle Type Flow Switch



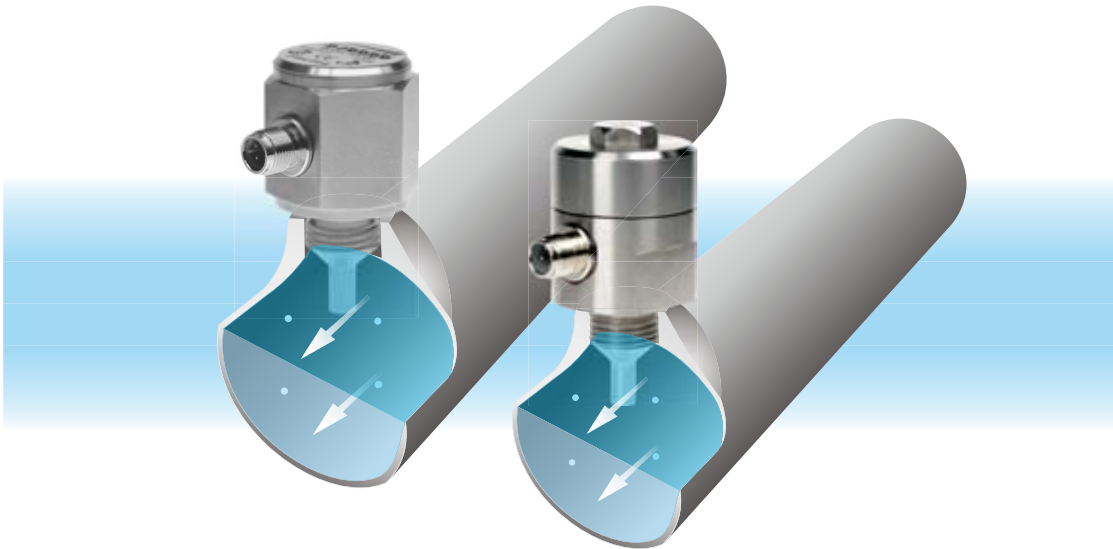
visit our website

# PRODUCT INTRODUCTION

## OPERATING PRINCIPLE

Thermal dispersion flow switches measure the velocity of a liquid inside a pipe or channel. The switch's probe contains two key components – a heating sensor and temperature sensor. The heating sensor is positioned closest to the flowing liquid and provides a consistent heat. The temperature sensor measures the temperature emitted from the heating sensor.

When liquid is flowing, there is a temperature difference between the two sensors. The temperature difference has an inverse relationship with the flow velocity (fast flowing liquids will result in greater heat differences and vice versa). Since the device contains no moving parts, has no wear and tear and maintains a long lifespan.



## FEATURES

- High sensitivity and accuracy.
- Suitable for corrosive and hazardous conditions.
- Able to be calibrated for liquids with different densities and impurities.
- Suitable for complex locations with easy installation.
- Customized probe lengths available.
- Three different output signals options.

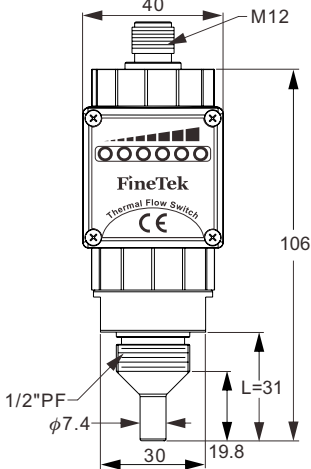
## APPLICATION

Petrochemicals, Hydroelectric plants, Shipyard, HVAC Systems, Steel Industry Food and Beverage, Pharmaceutical, Optics and Semiconductor Industry, Cooling pipes flow control  
Any pipes carrying liquid where flow measurement is needed.

# PRODUCT SPECIFICATIONS

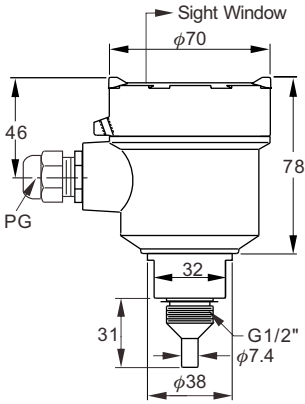
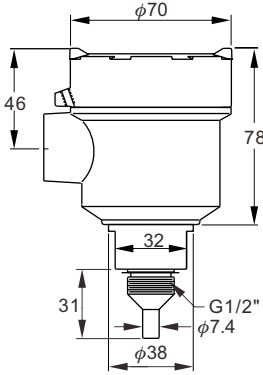
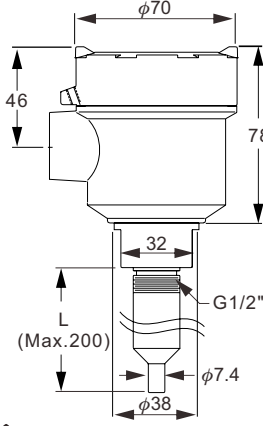


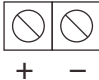

<b>Drawings</b>			
<b>Model</b>	<b>SP200-□-□-□-□-□</b> <b>Compact model</b>	<b>SP201-□-□-□-□-□</b> <b>Extension model</b>	<b>SP202-□-□-□-□-□</b> <b>High Temp. model</b>
<b>Measuring range</b>	Water: 1~150 cm/s Oil: 3~300 cm/s	Water: 1~150 cm/s Oil: 3~300 cm/s	Water: 1~150 cm/s Oil: 3~300 cm/s
<b>Ambient temp.</b>	-20 ~ 80°C	-20 ~ 80°C	-20 ~ 80°C
<b>Operating temp.</b>	-20 ~ 80°C	-20 ~ 80°C	-20 ~ 120°C
<b>Alarm output</b>	Open Collector : NPN / PNP(<400mA) Relay : 1A/30Vdc, 0.3A/125Vac (NO or NC)		
<b>Operating pressure</b>	100 bar (max.)	100 bar (max.)	100 bar (max.)
<b>Led indication</b>	Flow velocity below set point- Red LED on, Open Flow velocity equals set point- Yellow LED on, Close Flow velocity above set point- 4 Green LED to indicate flow speed, Close		
<b>Housing</b>	SUS304 / 316L	SUS304 / 316L	SUS304/ 316/ 316L
<b>Protection level</b>	IP67		
<b>Warm-up time</b>	Approx. 10 Sec	Approx. 15 Sec	Approx. 15 Sec
<b>Connection thread</b>	G1/2, G1/4, NPT1/2	G1/2, NPT1/2	G1/2, G1/4, NPT1/2
<b>Operating voltage</b>	19 ~ 30Vdc		
<b>Power consumption</b>	50mA (max.)		
<b>Wiring</b>	3-wire NPN/PNP Power-brown Grounding-blue Output-black		
<b>Accessory</b>	Gasket, 2m Cable		

# PRODUCT SPECIFICATIONS

<b>Drawings</b>	
<b>Model</b>	<b>SP220-□-□□-□□ Economy model</b>
<b>Measuring range</b>	Water: 1~150 cm/s Oil: 3~300 cm/s
<b>Ambient temp.</b>	-20 ~ 80°C
<b>Operating temp.</b>	-20 ~ 80°C
<b>Alarm output</b>	Open Collector : NPN / PNP(<400mA) Relay : 1A/30Vdc, 0.3A/125Vac (NO or NC)
<b>Operating pressure</b>	100 bar (max.)
<b>Led indication</b>	Flow velocity below set point- Red LED on, Open Flow velocity equals set point- Yellow LED on, Close Flow velocity above set point- 4 Green LED to indicate flow speed, Close
<b>Housing</b>	PC
<b>Protection level</b>	IP65
<b>Warm-up time</b>	Approx. 15 Sec
<b>Connection thread</b>	G1/2, NPT1/2
<b>Operating voltage</b>	19 ~ 30Vdc
<b>Power consumption</b>	50mA (max.)
<b>Wiring</b>	3-wire NPN/PNP Power-brown Grounding-blue Output-black
<b>Accessory</b>	Gasket, 2m Cable
<b>Footnote</b>	Sensitivity and Alarm setting not available.

# PRODUCT SPECIFICATION

## SEE PAGE ABOVE FOR CORRECTIONS (YELLOW)

Drawings			
		 Cert. Number GYJ12.1521x	 Cert. Number GYJ12.1521x
	<b>Model</b>	<b>SP210 Stainless Steel model</b>	<b>SP170-(1/2) Explosion Proof model</b>
<b>Measuring range</b>	Water: 1~150 cm/s Oil: 3~300 cm/s		
<b>Ambient temp.</b>	-20 ~ 80°C		
<b>Operating temp.</b>	-20 ~ 80°C		
<b>Alarm output</b>	Relay: 5A/250Vac	Relay: 3A/250Vac	
<b>Operating pressure</b>	100 bar (max.)		
<b>Led indication</b>	Flow velocity below set point- Red LED on, Open Flow velocity equals set point- Yellow LED on, Close Flow velocity above set point- 4 Green LED to indicate flow speed, Close		
<b>Housing</b>	SUS304		
<b>Wetted material</b>	SUS304 / 316 / 316L		
<b>Protection level</b>	IP67		
<b>Warm-up time</b>	Approx. 15 Sec		
<b>Connection thread</b>	G1/2, NPT1/2		
<b>Operating voltage</b>	19 ~ 30Vdc		
<b>Power consumption</b>	60mA (max.)		
<b>Wiring</b>	5-wire Relay Output Power- red Grounding- black COM- white NC- yellow NO- blue	 	
<b>Accessory</b>	Gasket, 2m Cable	_____	_____

# INSTALLATION

## INSTALLATION

1. Use the water-proof gasket provided
2. The distance "a" should be 4 times larger than the switches' screw diameter. (Fig. 1)
3. The pipe is bubble free for proper functioning. (Fig. 2)
4. For not-completely-filled pipes, install from the bottom. The liquid level needs to be higher than the probe height. (Fig. 3)
4. Screw tightly to avoid. Can be installed from various angles. For best sensitivity and response speed, please install using in the demonstrated in Fig. 4
5. Installing a filter upstream can decrease liquid impurities which can reduce wear and tear on the switch.

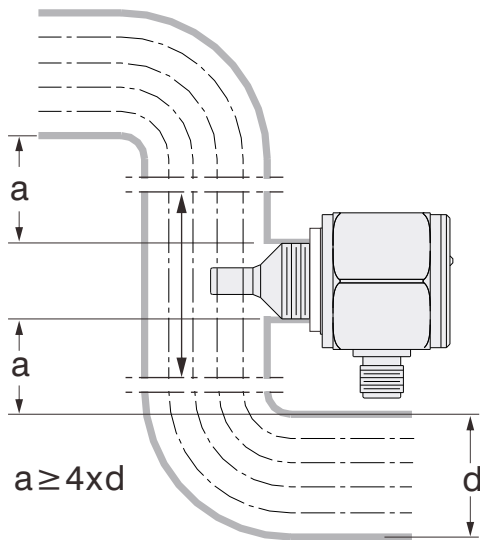


Fig. 1

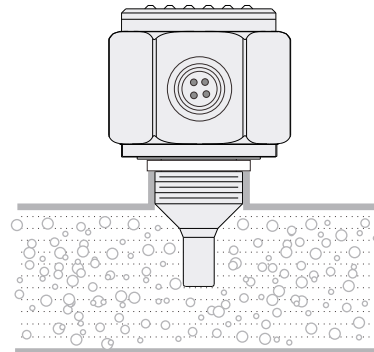


Fig. 2

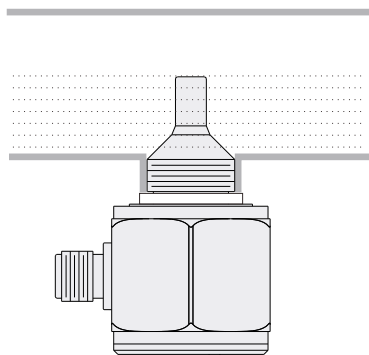


Fig. 3

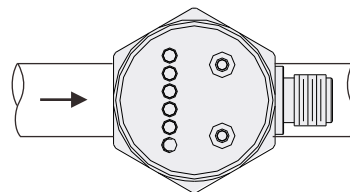


Fig. 4

## CWIRING AND CONNECTIONS

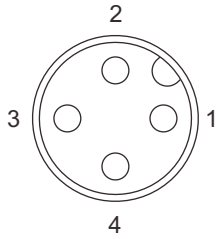


Fig. 5  
Wire terminal diagram  
(NPN, PNP and 1A relay output type)

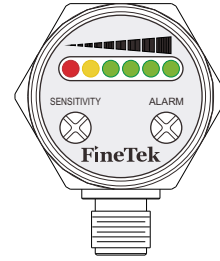


Fig. 6

## WIRING

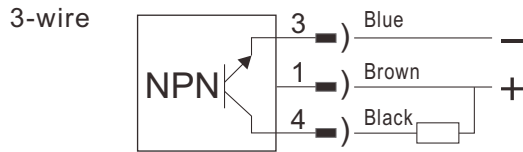


Fig. 7, NPN output type wiring

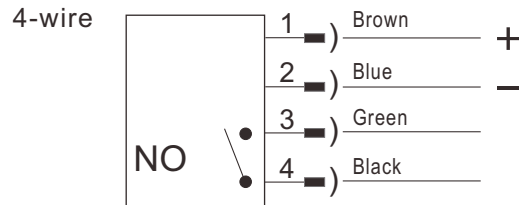


Fig. 10, Relay output type wiring (NO)

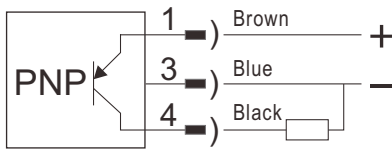


Fig. 8, PNP output type wiring

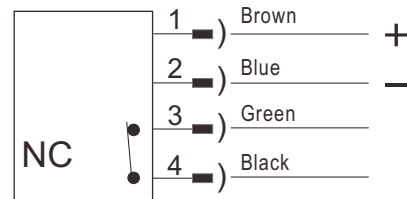


Fig. 11, Relay output type wiring (NC)

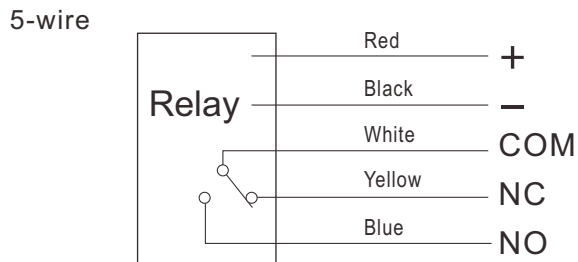
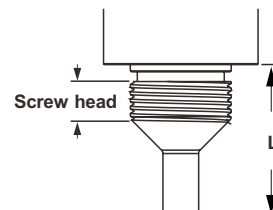


Fig. 9, Relay output type wiring

## SCREW TABLE

Screw	Standard			
	PF,BSP		PT,NPT	
	Screw head	L	Screw head	L
1/4"	8.5mm	25mm	10mm	25mm
1/2"	10.5mm	31mm	19mm	40mm
1"	16mm	36mm	20mm	40mm

Screw	Extension			
	PF,BSP		PT,NPT	
	Screw head		Screw head	
1/2"	11.5mm	16mm	16mm	20mm
1"	16mm		20mm	



# HOW TO ORDER

SP2   -  -   -  -  - (     )

## Model Description

- 0: Compact model
- 1: Stainless Steel model  $\phi 70 \times 78$   
(for SPDT 5A/250Vac)
- 2: Economy model (Plastic Housing)

## Probe Type

- 0: Standard model
- 1: Probe Extension model
- 2: 120°C High Temperature model  
(Except SP220)

## Material

- 0: SUS304    L: SUS316L    S: Other
- 6: SUS316

## Connection

Size	Specification
A: 3/8" (10A)	Q: PT
B: 1/2" (15A)	T: BSP
C: 3/4" (20A)	R: PF
D: 1" (25A)	U: NPT
2: 1/4"	V: GAS
S: Other	S: Other

\*Standard connection: 1/2"PF, 1/2"NPT, 1/2"PT

## Output

- N: NPN (current limit: 400mA)
- P: PNP (current limit: 400mA)
- A: Relay 1A/30Vdc (NO)
- B: Relay 1A/30Vdc (NC)
- C: Relay 5A/250Vac (SPDT) (for SP210/ SP211/ SP212)

## Cable Wire Length(unit: m)

- 2: 2m    5: 5m

## Length L (Unit: mm)

- ※ Length tolerance:  $\pm 5\text{mm}$
- ※ Dimensions are subject to change
- ※ Customized lengths available on request \* Max.200mm



# HOW TO ORDER

SP170-  -  -  - ()

**Model Description**

- 70 ---Explosion Proof Type
- 71 ---Explosion-proof extension(Max:L=200mm)

**Material**

- 1: SUS304
- 2: SUS316L

**Continue**

Size	Specification
B: 1/2" (15A) D: 1" (25A) S: Other	Q: PT T: BSP R: PF V: GAS U: NPT S: Other

**Output**

- C: SPDT 3A/250Vac

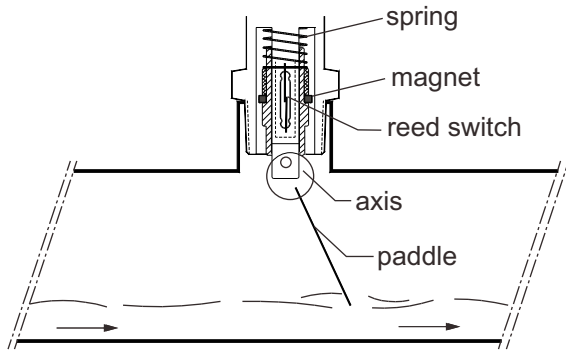
**Length L (Unit: mm)**

- ※ Length tolerance: ±5mm
- ※ Dimensions are subject to change
- ※ Customized lengths available on request \* Max.200mm

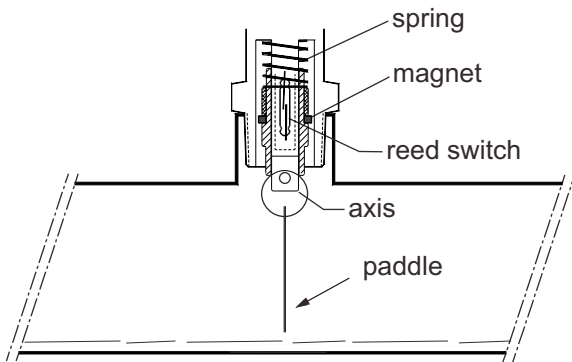
# PADDLE TYPE FLOW SWITCH

## PRINCIPLE

Flow Switch can detect liquid movement in pipes. When the liquid is static or nonexistent, the spring is fully extended pulling the magnet downward and opening the switch. As flow occurs and the paddle is thrust forward 20°C~30°C (or more) the paddle will push the magnet upward and actuate the switch (closing the circuit). The length of paddle can be adjusted to the pipe's diameter.



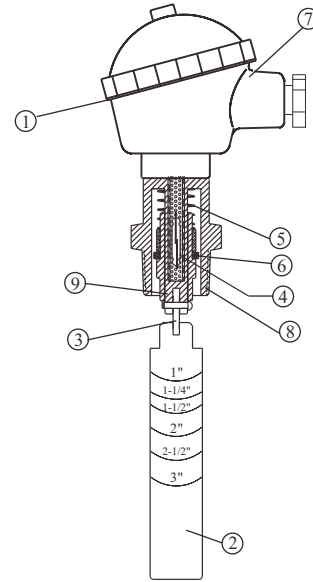
Switch on in case of liquid flowing in pipes



Switch off in case of no moving liquid in pipes

## SECTIONAL DRAWINGS

1. O-Ring
2. Paddle
3. Axis
4. Reed switch
5. Spring
6. Magnet
7. Housing
8. Screw
9. Center rod



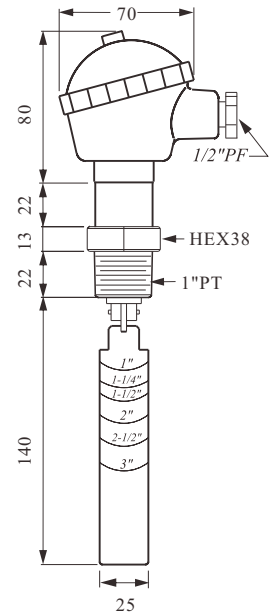
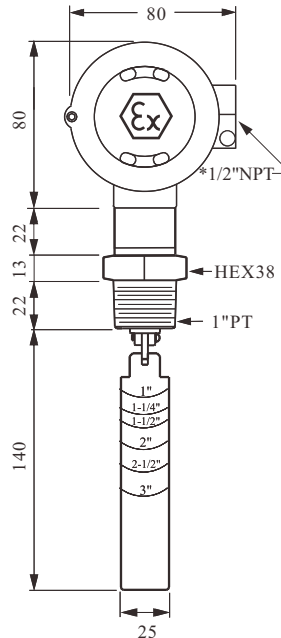
NEPSI

**MODEL: SF1710**

**Explosion proof model**

**MODEL: SF1800**

**Standard model**



\*Optional part



Spec.	Model	SF1710	SF1800
Housing material		Aluminum Alloy, Ex d IIC T6~T4	Aluminum Alloy, IP65
Operation temp.		-30°C~100°C	-30°C~150°C
Wetted material		SUS304	SUS304
Operation pressure		Max. 355 PSIG	Max. 355 PSIG
Pressure drop allowance		3 PSIG	3 PSIG
Set point tolerance		± 25%	± 25%
Repeatability tolerance		± 5%	± 5%
Contact capacity		60W 220Vac/200Vdc, SPDT	60W 220Vac/200Vdc, SPDT

### FLOW CONTROL RANGE TABLE

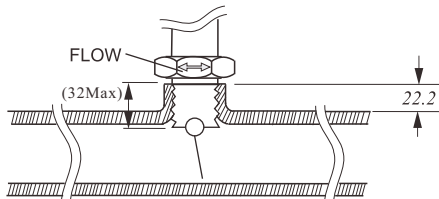
Paddle Length	Flow Volume Gallon/Min.	1"		1-1/2"		2"		2-1/2"		3"	
		Act.	De-Act.	Act.	De-Act.	Act.	De-Act.	Act.	De-Act.	Act.	De-Act.
1"		4.7	3.9	10.9	8.3	19.9	16.1				
1-1/4"				7.7	6.1	16.5	12.3	31.3	22.8		
1-1/2"				5.7	4.5	13.4	9.5	25.2	18.5		
2"						8.4	6.3	15.1	12.8	29.7	21.9
2-1/2"								13.9	10	20.4	15.4
3"										17.1	12.8

※ 1 Gallon=3.7854 Litter

### INSTALLATION

1. The paddle length is dependent on the lowest paddle point to actuate the switch. Cut the paddle at appropriate pipe size mark or wherever desired. The minimum is 1".
2. The paddle must be at a right angle to the direction of flow
3. The FLOW mark on the screw must be parallel to the pipe.
4. Before installing the unit to a tee pipe, apply thread seal tape to the screw and then tighten.

- Not recommended for 1" or smaller NPT plastic pipes.

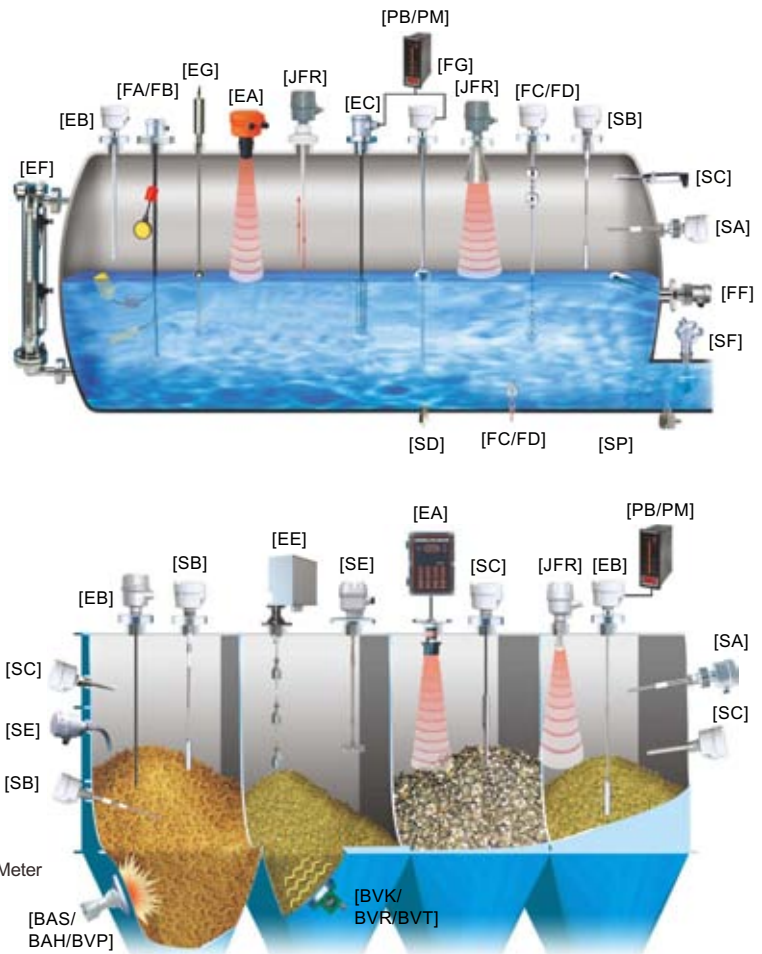


### CAUTION

1. The pressure and temperature ranges as shown in the catalog, must not be exceeded and also take the abrupt pressure and temperature into considerations.
2. Large sudden changes in liquid temperature and density (specific gravity) changes will influence the flow switch accuracy
3. Although highly rigid and durable, shock and vibration should be minimized.
4. Excessive fluid debris might inhibit paddle operation. Occasionally remove switch and clean off any debris.
5. Sealing electrical connections and the connection will reduce moisture damage.

# EXAMPLES-OF-TANK-MOUNTING

- [FC/FD] Mini Float/Magnetic Float Level Switch
- [FG] Magnetic Float Level Transmitter
- [FF] Side Mounting Float Switch
- [FA/FB] Cable Float Level Switch
- [SP] Thermal Dispersion Flow Switch
- [SF] Paddle Flow Switch
- [SD] Optical Level Switch
- [SE] Rotary Paddle Level Switch
- [SA] Capacitance Level Switch
- [EC] Pressure Level Transmitter
- [SC] Vibrating Probe Level Switch
- [SC] Tuning Fork Level Switch
- [EB] RF-Capacitance Level Transmitter
- [SB] RF-Capacitance / Admittance Level Switch
- [EG] Magnetostrictive Level Transmitter
- [EF] By-Pass Level Transmitter
- [MEF] Mini By-Pass Level Transmitter
- [EA] Ultrasonic Level Transmitter
- [JFR] FMCW Radar Level Transmitter
- [EE] Electromechanical Level Measuring System
- [ED] Speed Monitor
- [SRT/SRS] Conveyer Belt Misalignment Switch & Safety Cable Pull Switch
- [PB/PM] Microprocessor Based Bargraphic Display Scaling Meter
- [BRD/AE] Valve and Controller for Dust Collector System
- [BAS/BAH/BVP] Air Hammer
- [BVK/BVR/BVT] Pneumatic Vibrator



## FineTek Co., Ltd.

No.16, Tzuchiang St., Tucheng Industrial Park, New Taipei City 236, Taiwan.  
 TEL: 886 2 2269 6789 FAX: 886 2 2268 6682  
 Email: info@fine-tek.com http://www.fine-tek.com

## Fine automation (ShangHai) Co., Ltd.

No.451 DuHui Rd, MinHang District, Shanghai, China 201109  
 TEL: 86 21 6490 7260 FAX: 86 21 6490 7276  
 Email: info.sh@fine-tek.com http://www.fineautomation.com.cn

## FineTek Pte Ltd.

No. 60 Kaki Bukit Place, #07-06 Eunos Techpark 2  
 Lobby B, Singapore 415979  
 TEL: 65 6452 6340 FAX: 65 6734 1878  
 Email: info.sg@fine-tek.com

## FineTeK GmbH

Frankfurter Str. 62, OG D-65428 Ruesselsehim, Germany  
 TEL: 49 6142 17608 0 FAX: 49 6142 17608 20  
 Email: info@fine-tek.de

## Aplus Finetek Sensor inc.

355 S. Lemon Ave, Suite D, Walnut, CA 91789  
 TEL: 1 909 598 2488 FAX: 1 909 598 3188  
 Email: peter.wu@aplusfine.com http://www.aplusfine.com



Distributor: