



HEAD MOUNTED TEMPERATURE TRANSMITTER

UNIVERSAL TEMPERATURE INPUT
PROGRAMMABLE INPUT TYPE, 4-20MA OUTPUT, ISOLATED
Model No: MTR330



General Specifications

TEMPERATURE TRANSMITTER 4-20MA OUTPUT, ISOLATED MTR330

GS 19A16D01-01EN

Overview

MTR330 Temperature Transmitter is head mounted with universal Temperature input, transmitting the signal thermocouple, RTD sensor as 4-20ma output for with ideal solution.

Feature

- Electrical isolation: 1500VAC (Input/output)
- Universal temperature input, programmable flexibly
- Input signal: 8 types of thermocouple, 2 types of RTD
- Built-in cold junction compensation for thermocouple input
- Input type can be programmable flexibly by PC software
- Serial port with serial-USB cable communication for software
- Output : 4-20ma, 2 wire
- Power supply: 24VDC

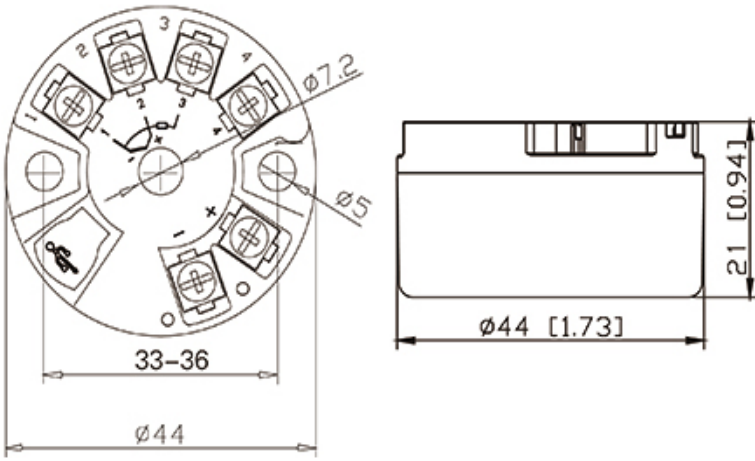
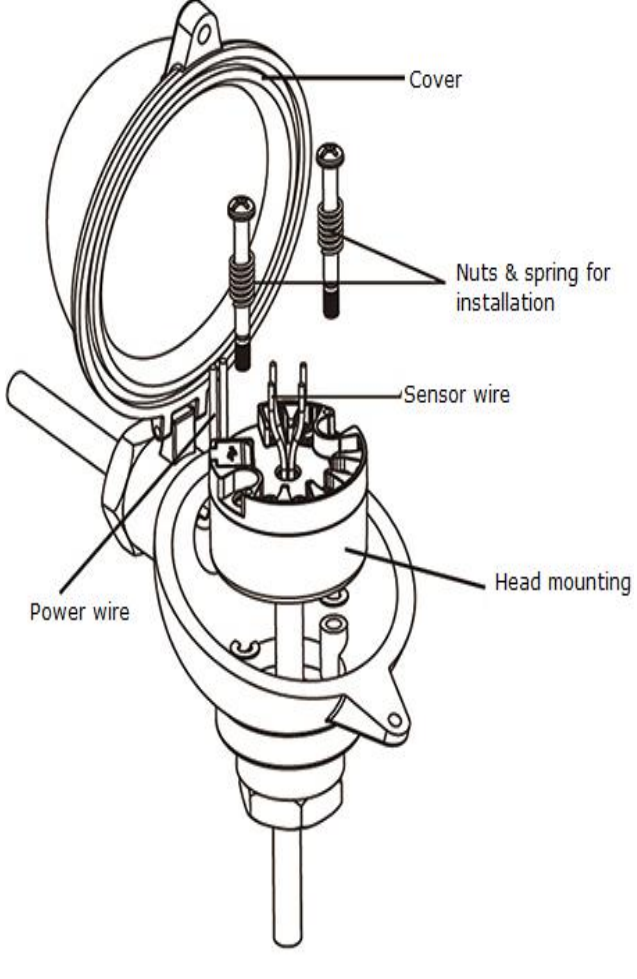
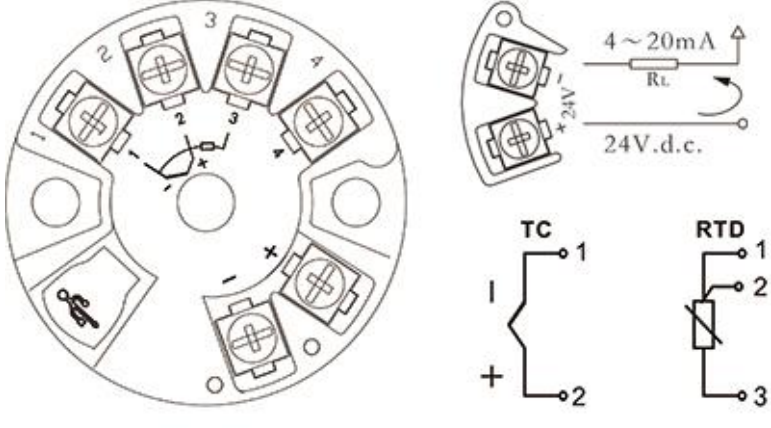
Specification



Smart Head Mount Temperature Transmitter
Isolated Version: 1500VAC

Accuracy	0.1%FS	Input Type	Measured Range	Min. Range	
Electrical isolation	1500VAC	RTD	Pt100	-200 to 600°C	10°C
Response time:	<1second (up to 90%)		CU50	-50 to 150°C	10°C
Input type	Thermocouple, RTD	T.C.	B	400 to 1820°C	50°C
Cold junction compensation	-20~60°C		E	-100 to 1000°C	50°C
Compensation Accuracy	±1°C		J	-100 to 1200°C	50°C
Temperature shift	0.01%FS/°C		K	-180 to 1372°C	50°C
Output	4-20mA , 2 wire		N	-180 to 1300°C	50°C
Load resistor	$RL \leq (U_e - 12) / 0.021$		R	-50 to 1760°C	500°C
Current output	I _H =21mA、I _L =3.8mA		S	-50 to 1760°C	500°C
	(when high-low alarming limiting over)		T	-200 to 400°C	50°C
Current when alarming	21mA (when input is in open circuit)	Isolation (input/output)	1500Vrms(1min)		
Earthquake resistance:	4g/2 to 150HZ	Isolation resistance	≥100MΩ (when 500VDC)		
Max Load:	max. (V power supply-7.5V)/	(Input/output)			
	0.022A (current output)	Power supply	U=12V to 40Vdc		
Installation	Head of B type box	Working temperature	-40 to 85°C		
IP protection	P00; IP66 (mounted)	Storage temperature	-40 to 100°C		

Electrical Connection

Size(mm)	Installation
	
Diagram	
	
Configuration by USB cable with PC software for input type, range setting	
