

HIGH BLAST MIXERS

HB SERIES



F2381101

FEATURES

- External construction: cast iron G25
- Internal pipe and orifices: AISI304
- High pressure air adjuster
- Inspired air adjuster
- Required air pressures: 1.4 to 8.4 bar
- Minimum gas pressures: coke-oven gas 13 mbar
natural gas 7.6 mbar
L.P., propane, butane 2.5 mbar
- Use of small amounts of high pressure air (10% of the amount necessary for the combustion)

DESCRIPTION

High Blast mixers are compact air-gas mixers used in installations where high pressure air is available. Air is passed through a primary modified venturi which inspirates an equal amount of gas and elevates its pressure. The suction effect allows for the use of low capacity compressors because about 90% of the air required for the combustion is inspirated from outside.

APPLICATIONS

- Mixers adequate to all nozzles.

INSTALLATION

- Make high pressure air and gas connections. These may be pipe or flexible hoses.
- The connections should not be smaller than the valve sizes.
- Check air and gas lines for leaks.
- Loosen locknut on body and open primary air shutter wide.
- Open high pressure air valve.
- After flame is lighted, flame character is adjusted by the setting of the gas cock.
- Opening gas wider gives a softer, longer flame. Closing it slightly produces a sharper, shorter flame.
- Adjust high pressure air adjuster and air shutter to obtain the capacity required.



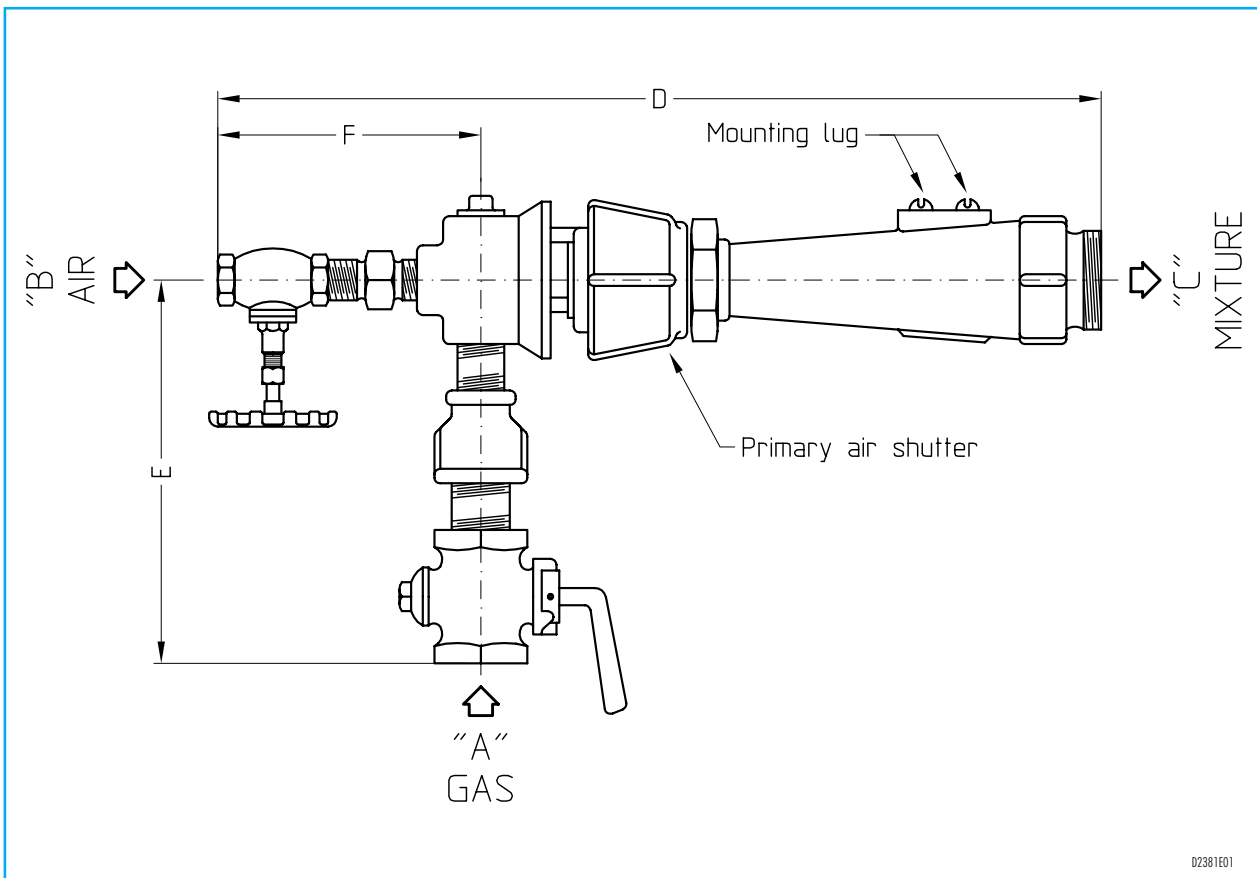
Headquarters
Esa S.r.l.
Via E. Fermi 40 I-24035 Curno (BG) - Italy
Tel. +39.035.6227411 - Fax +39.035.6227499
esa@esacombustion.it - www.esapyronics.com

International Sales
Pyronics International S.A./N.V.
Zoning Ind., 4ème rue B-6040 Jumet - Belgium
Tel +32.71.256970 - Fax +32.71.256979
marketing@pyronics.be

CAPACITY TABLE

Gas capacity in kW - Air flow rate in Nm ³ /h													
Catalog no.	Minimum burner area mm ²	Air pressure in bar											
		1.4		2.8		4.2		5.6		7		8.4	
		Average mixture pressures in mbar											
		6.35		12.7		19		25.4		31.7		38.1	
		Cap.	Q Air	Cap.	Q Air	Cap.	Q Air	Cap.	Q Air	Cap.	Q Air	Cap.	Q Air
6 HB	122.6	12	1.4	16	2.0	20	2.5	23	2.9	25	3.2	28	3.6
8 HB	193.5	19	3.0	26	4.1	32	5.1	37	5.8	41	6.4	46	7.1
10 HB	432.2	42	6.6	60	9.3	73	11.5	85	13.2	95	14.7	104	16.1
12 HB	683.9	67	9.0	94	12.4	116	15.2	132	17.6	147	19.5	163	21.3
16 HB	1193	117	12.0	166	16.9	205	20.8	234	24.0	258	26.7	287	29.3
20 HB	1606	161	16.6	226	23.3	278	28.8	322	33.2	357	36.9	390	40.6
24 HB	2097	199	20.8	281	29.3	346	36.2	399	41.6	445	46.4	486	50.8
32 HB	3574	352	34.7	495	48.7	609	60.2	703	69.4	785	77.0	856	84.3

DIMENSIONS



02381E01

Catalog no.	ø A torch	ø B torch	ø C torch	D mm	E mm	F mm	Mass kg
6 HB	1/2"	3/8"	3/4"	222	127	83	1.8
8 HB	1/2"	3/8"	1"	254	127	83	2.3
10 HB	3/4"	3/8"	1-1/4"	356	152	89	2.8
12 HB	3/4"	3/8"	1-1/2"	381	152	89	3.5
16 HB	1"	3/8"	2"	483	184	98	6.8
20 HB	1"	3/8"	2-1/2"	527	184	98	8.1
24 HB	1-1/4"	3/8"	3"	641	203	102	11.8
32 HB	1-1/2"	3/8"	4"	806	222	102	19.5